



SPECIFICATION SHEET

UMACABLE HIGH QUALITY ULTRA SLIM FLEXIBLE HDMI TO MICRO HDMI CABLE WITH METAL HOUSING

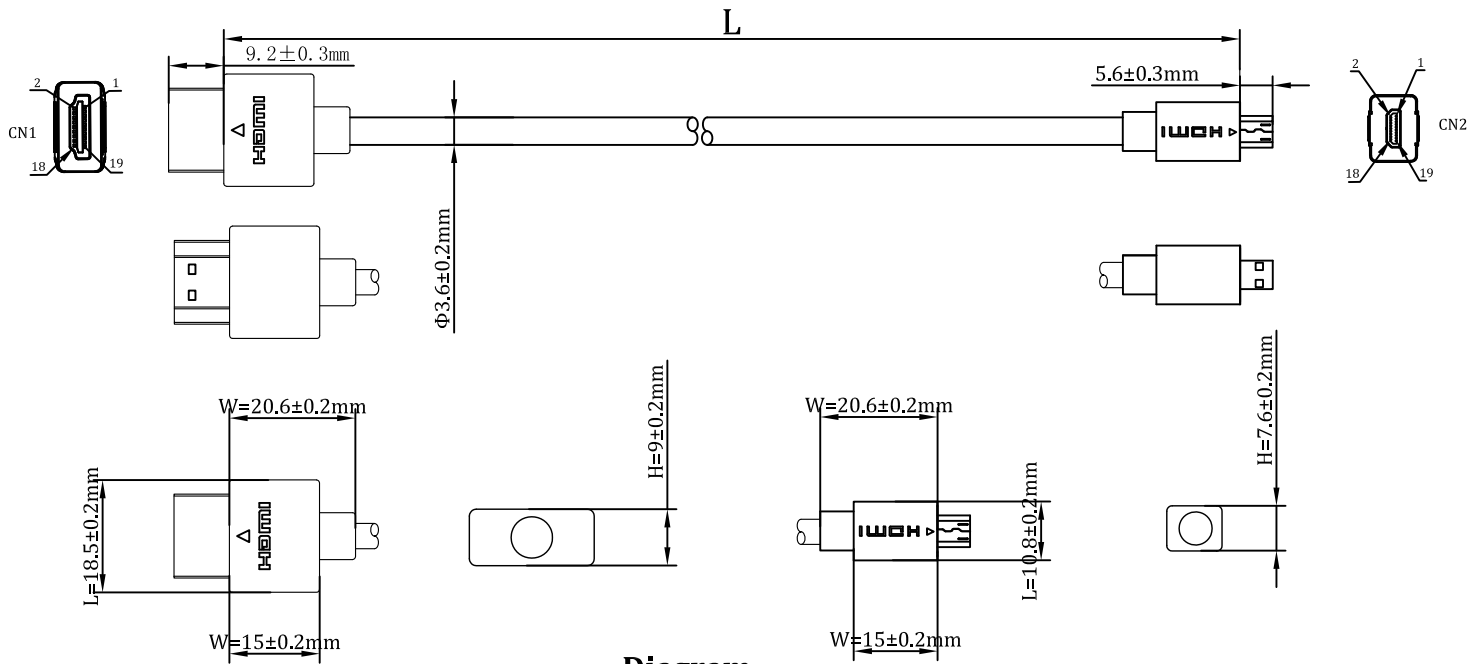
ITEM NO.: UMHD4004



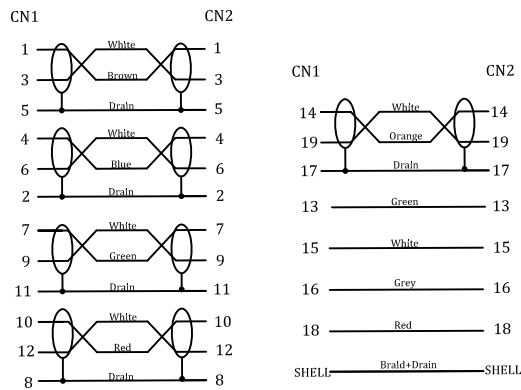
KEY FEATURES :

- High Speed HDMI to Micro HDMI Cable with Ethernet
- Ultra slim, flexible cable construction and the low profile, compact Metal connectors
- Enables transmission of High Dynamic Range (HDR) video
- Bandwidth up to 18Gbps
- 3D video, Deep Color and x.v. Color™
- Dolby® True HD, DTS-HD Master Audio and up to 32 audio channels for a multi-dimensional immersive audio experience
- Up to 1536kHz audio sample frequency for the highest audio fidelity
- Simultaneous delivery of dual video streams to multiple users on the same screen
- Simultaneous delivery of multi-stream audio to multiple users (up to 4)
- Support for the wide angle theatrical 21:9 video aspect ratio
- Dynamic synchronization of video and audio streams
- CEC extensions for control of consumer electronics devices through a single control point
- Lifetime Warranty

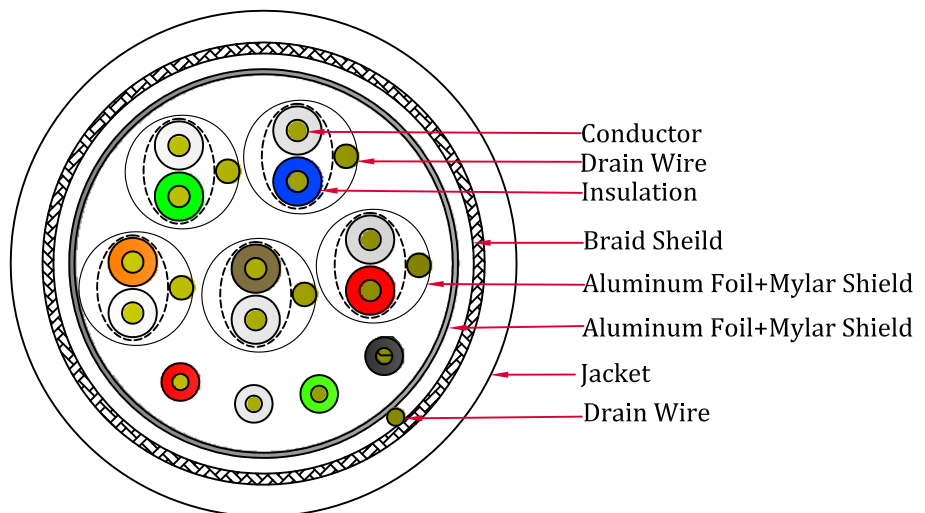
UMACABLE HIGH QUALITY ULTRA SLIM FLEXIBLE HDMI TO MICRO HDMI CABLE WITH METAL HOUSING



Diagram



Construction



UMACABLE HIGH QUALITY ULTRA SLIM FLEXIBLE HDMI TO MICRO HDMI CABLE WITH METAL HOUSING

Electrical Characteristics:

Nominal Impedance:	100±10Ω
Nominal Velocity of Propagation:	≤1.78ns
DC Resistance:	376Ω/km
Dielectric Strength:	AC 500V/1 minute
Insulation Resistance:	100Ω

Conductor 1 (5 pairs)

Conductor Type:	36AWG Bare Copper
Insulation:	Foamed PE
Color:	Red/White, Blue/White, Green/ White, Brown/White, Black/White
Drain Wire:	36AWG Bare Copper
Shield:	Aluminum Foil+Mylar 100% Coverage

Connector 1

Connector Type:	HDMI Type A Male
PIN Construction:	Phosphor Copper
Plating:	1 μm Gold
Injection:	Zinc Alloy

Overall

Drain Wire:	30AWG Bare Copper
Foil Shield:	Aluminum Foil+Mylar 100% Coverage
Braided Shield:	16/6/0.12 Aluminum Magnesium
Jacket:	PVC
OD:	3.6±0.2mm

Physical Characteristics:

Voltage Rating:	30V
Maximum Bend Radius:	90mm
Temperature Rating:	80℃
Approvals:	RoHS Compliant
Package type:	PE bag, Zip bag, Box, Hang card, Blister

Conduct 2 (4 cores)

Conductor Type:	36AWG Bare Copper
Insulation:	HDPE
Color:	Red, White, Blue, Green
Shield:	Aluminum Foil+Mylar 100% Coverage

Connector 2

Connector Type:	HDMI Type D Male
PIN Construction:	Phosphor Copper
Plating:	1 μm Gold
Injection:	Zinc Alloy

Customized Parameters

Guage:	AWG 36
Length:	1, 1.5, 1.8, 2, 3
Color:	Black or Customized
Ferrite Core:	Customized
Nylon Mesh:	Customized
Package type:	PE bag, Zip bag, Box, Hang card, Blister